

Wireless Water Underfloor Heating/Radiator System

Our wireless system works with our Slimline wireless thermostats and is designed to offer an easy to install and operate system. Communication between the thermostat and wiring centre is achieved by reliable RF (radio frequency) communication, using the 868Mhz frequency band. This means, the installer only needs to wire the boiler, pump and actuator connections, which are normally all local to the wiring centre.

Simple Pairing Process

Up to 9 UH1-W can be used within the same building, allowing control of up to 72 zones. Each UH1-W has an address setting, clearly marked on the PCB. This address, along with the relevant zone number is configured in the thermostat and that's it - a simple to install, setup and operate system.

Connectivity

The UH1-W works with up to 8 slimline wireless thermostats. On demand from any zone, a 230v output is provided to switch the relevant zone actuator, underfloor heating pump and valve. A volt free connection is supplied for the boiler, making it compatible with almost all types of boilers.

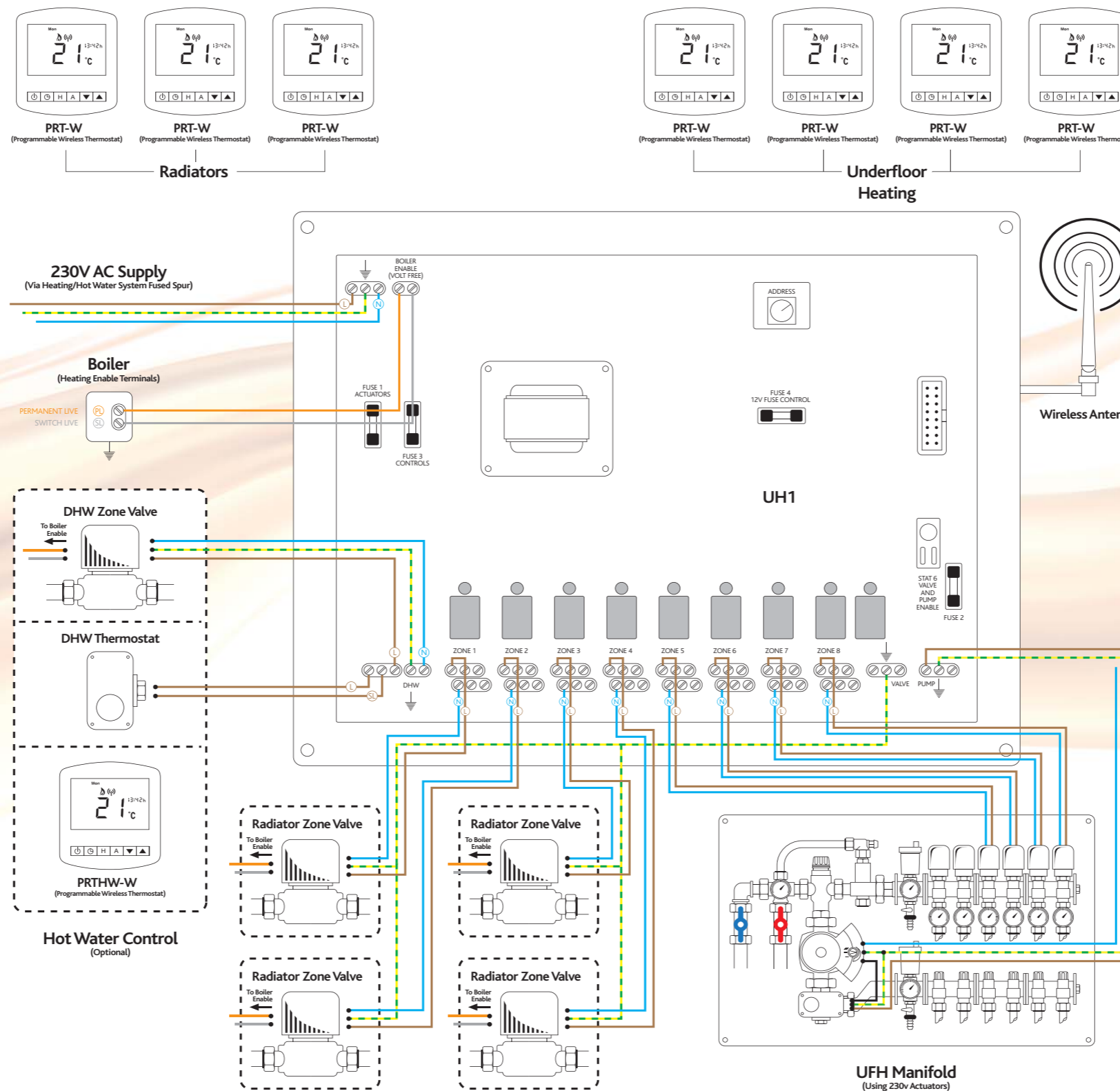
Standard Products



Wireless 8 Zone Wiring Centre
Part Ref: Heatmiser UH1-W



Wireless Slimline Thermostat
Part Ref: Heatmiser PRT-W



Providing

- Wiring centre, controlling up to 8 zones
- Wireless thermostat in each room

Product List

- 8 Zone Wiring Centre (expandable up to 72 Zones)
Part Ref: UH1-W (See page 7)
- Slimline Wireless Thermostat
Part Ref: Heatmiser PRT-W (See page 6 for complete range)



Hot Water Control

The UH1-W also takes care of the hot water. A cylinder thermostat connection and 230v hot water valve output are provided. The PRTHW-W is our heating and hot water model, offering time and temperature control of the heating and time control of the hot water.

Radiator or Underfloor

A software option in the thermostat allows you to configure which zones are underfloor heating and which zones are radiators. Radiator zones will not enable the underfloor heating pump and underfloor heating valve where there is a call for heat.

External Aerial

Should the UH1-W be installed in a metal cupboard or where the RF signal is weak, an external aerial can be used. This 3 meter long aerial is equipped with a magnetic base for simple installation.

Optional Products



External Aerial
Part Ref: EA1



Slimline Wireless Repeater
Part Ref: WR1